

Temperature sensors 温度传感器



EUROSWITCH

TEMPERATURE SWITCHES AND TEMPERATURE SENSORS

双金属温控器和温度传感器

pag. mod.
页. 型号.

4

Certifications / 认证

Temperature Switches
双金属温控器

6

Temperature switches / 双金属温控器

9

506

Thermostat Hex 24 / 温控器 Hex 24

10

525

Thermostat Hex 22 / 温控器 Hex 22

11

Protection cap and connectors / 保护盖和安全连接器

12

507

Thermostat with SPDT contacts / 三通切换触点温控器

13

520

Bimetallic thermostat Hex 17 / 双金属温控器 Hex 17

Thermal contacts
热接触

14

Thermal contacts / 热接触

15

510 - 514 - 519

Thermal contacts / 热接触

Temperature Sensors
温度传感器

16

Temperature sensors / 温度传感器

18

570

Epoxy coated temperature sensors / 环氧涂层温度传感器

19

572

Temperature sensors with metallic incapsulation
带金属套管温度传感器

20

580E

Temperature sensors with DIN connector / 带DIN连接器温度传感器

21

580

Temperature sensors with cable and connector
带电缆和连接器温度传感器

24

577

Air temperature sensors / 空气温度传感器

25

578

Fast connection temperature sensors / 快速安装温度传感器

26

582

Water temperature sensors / 水温传感器

27

583

Temperature sensors with earthed body / 带接地温度传感器

28

589

Temperature sensors with double NTC/PTC / 带双NTC/PTC温度传感器

29

598

Temperature transmitters with 4-20 mA analogic output
温度传感器4-20mA模拟输出

30

EST

Temperature transmitters 4-20 mA analogic output with 2 digital programmable values
带2个编程数字阈值的模拟4-20mA输出温度传感器

Certifications / 认证



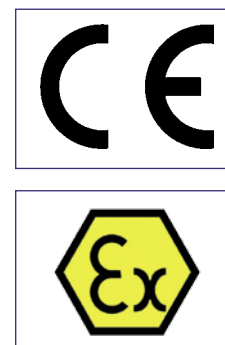
Quality Management System UNI EN ISO 9001-2008
(ISO 9001-2008)
质量管理体系认证UNI EN ISO 9001-2008
(ISO 9001-2008)



Quality Management System UNI EN ISO 14001-2004
(ISO 14001-2004)
质量管理体系认证UNI EN ISO 14001-2004
(ISO 14001-2004)



Atex Certification
Atex认证





Thermostats / Thermal contacts
温控器 / 热接触

Temperature switches / 双金属温控器

Thermostats

Euroswitch offers single-pole thermostats with bimetal disc and quick opening contact, available in various configurations.

The cut-in temperature and differential may vary, depending on the specific application.

Cut-in temperatures are controlled with the minimum electric load in the contact circuit.

Main applications: temperature control in hydraulic systems, radiators, heat exchangers, lubrication system, etc.

From an electrical point of view, there three main types:

- with two-way normally-open (NO) electrical contacts (SPST)
- with two-way normally-closed (NC) electrical contacts (SPST)
- with three-way changeover electrical contacts (SPDT)

- In the NORMALLY OPEN (NO) version on Fig. 1, the contact is open, i.e. there is no flow of current in the absence of temperature. When the temperature setting is reached, the electrical contact closes.

- The diagram of Fig. 2 shows a Thermostat with NORMALLY CLOSED (NC) contacts in the absence of temperature.

We can see that the contacts are closed and the signal is present on the external contacts. When the temperature setting is reached, the electrical contact rises and interrupts the signal.

- In the SWITCHING CONTACTS (SPDT) of Fig. 3 version, the temperature of the fluid on the separating element causes a micro-switch to switch.

Either NC or NO contacts, or both, can be used in this version.

Operating conditions

Compatibility of the sensor for the intended use must be verified with the specific fluid and under correct operating conditions.

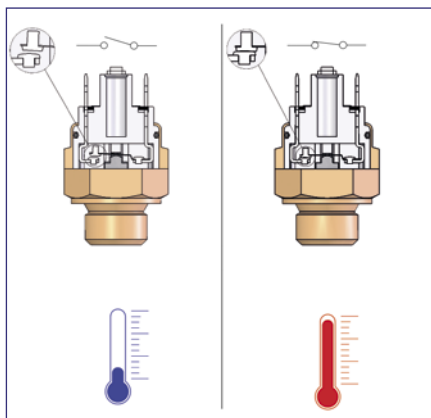


FIG. 1
(non-binding example - N.O. contact)
图1
(非捆绑运行示例 - 常开触点)

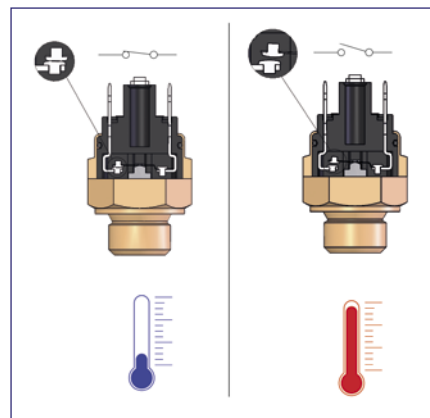


FIG. 2
(non-binding example - N.C. Contact)
图2
(非捆绑运行示例 - 常闭触点)

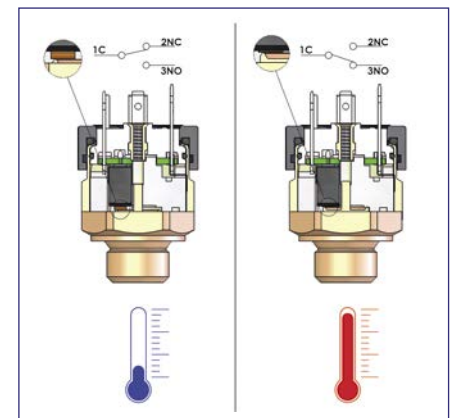


FIG. 3
Switching contacts (SPDT)
图3
(SPDT三通切换触点)

温控器

Euroswitch提供单极双金属片和快速断路触点温控器，拥有各种不同配置。

介入的温度和误差可根据不同的用途而改变。

介入的温度用接口电路的最低电负荷控制。

主要用途：液压系统、散热器、换热器、润滑系统、汽车等领域的温度控制。

主要存在三种类型：

- 带有SPST常开电触点
- 带有SPST常闭电触点
- 带有SPDT三通切换电触点
- 在图1的常开版本中，触点断开，即在温度不到的情况下不存在电流通过。温度到达设定值后，电触点闭合。
- 图2中展示的是一个在温度不到的情况下，带有常闭电触点的温控器。事实上，我们看到在温度不到的情况下，电触点闭合，在外触点上有信号显示。温度达到设定值后，电触点断开，信号停止。
- 在图3的转换触点版本中，分流器上的液体温度，决定了微动开关的转换。在这个最新版本中，可以无差别地使用常闭、常开电触点或两者兼用。

应用条件

传感器应根据具体的液体和环境情况使用。

Electrical load

The electrical characteristics of the contacts are detailed under each series of temperature switches. Our Technical Department can help customers who have any doubts or queries. In the event of a slow temperature variation in temperature switches with SPST contacts, it is advisable not to pilot electrical loads with characteristics close to the current limits of the contacts. In such a case, it is preferable to put a relay between the temperature switch and the load. In temperature switches with SPDT contacts, correct operation of the microswitch requires an operating speed in the range 0.1 mm/sec to 1 m/sec.

For products with max 48 V power must be managed thanks to a SELV system.

Assembly

It is advisable to assemble the temperature switch vertically, with the electrical connection facing upwards, in order to prevent foreign particles from accumulating inside the body.

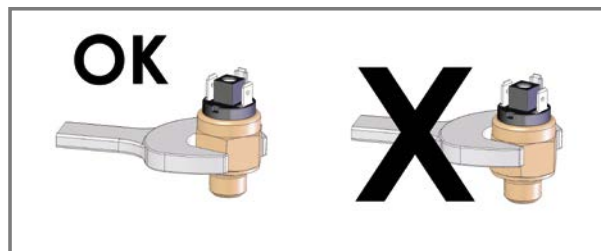
先导电荷

在与每一系列的温控器相关的数据中，列入了触点的电气特性。我们技术部可以为客户解答任何疑问。如果带SPST触点温控器中的温度变化缓慢，建议不要先导特性接近电触点的电流极限值的电荷。在这种情况下，建议在温控器和负荷间插入一个继电器。在带SPDT触点的温控器中，为了使微动开关能够正确工作，要求驱动速度高于0.1MM/SEC，低于1M/SEC。

对于最大开关电压48V以内的产品，需要通过一个SELV类型的系统供电。

安装

建议纵向安装温控器，电气连接朝上，以避免长时间内在套管中积聚微粒。



Impact and vibration

The temperature switch contact may get damaged if subjected to impact (e.g. if dropped) or strong vibration.

Caps and connectors

All our temperature switches can be protected by caps and connectors. The protection degree can be IP54 or IP65, depending on the model.

Special configurations

Euroswitch also manufactures special temperature switches, such as pre-wired, with a stainless steel case, or degreased for use with oxygen. Whatever your requirements, feel free to contact our design and sales office staff, who will be able to suggest the most suitable product to meet your requirements.

碰撞和震动

当受到非正常碰撞或强烈震动时，温控器的触点可能会损坏。

保护盖和连接器

我们所有的温控器都由保护盖和连接器保护。根据类型，防护等级可达IP54或IP65（有些特殊版本可达IP 67）。

特别配置

根据特殊要求，可以制作特别配置的温控器（例如：预装电缆的，带有不锈钢套管的，为使用氧气而进行脱脂的等）；有任何需求，请联系我们的技术-销售部，将会为您推荐最适合您的用途的产品。

CE Marking

Our products have been designed in compliance with the applicable EC Directives and Regulations and bear the CE mark based on the following classification:

- a) Electrical devices and apparatus used at a mains voltage of 50-1000V AC and 75-1500V DC.
They comply with the following directives:
- 2014/35/VE (Low-Voltage Directive) and EN 60730-1 and relevant parts II;
 - 2014/30/VE (EMC) – Electro-Magnetic Compatibility Directive and EN 60730-1 standards and relevant parts II;
- b) Electrical devices and apparatus used at 50V AC and 75V DC.
They comply with the following directives:
- 2014/30/VE (EMC) – Electro-Magnetic Compatibility Directive and EN 60730-1 standards and relevant parts II.

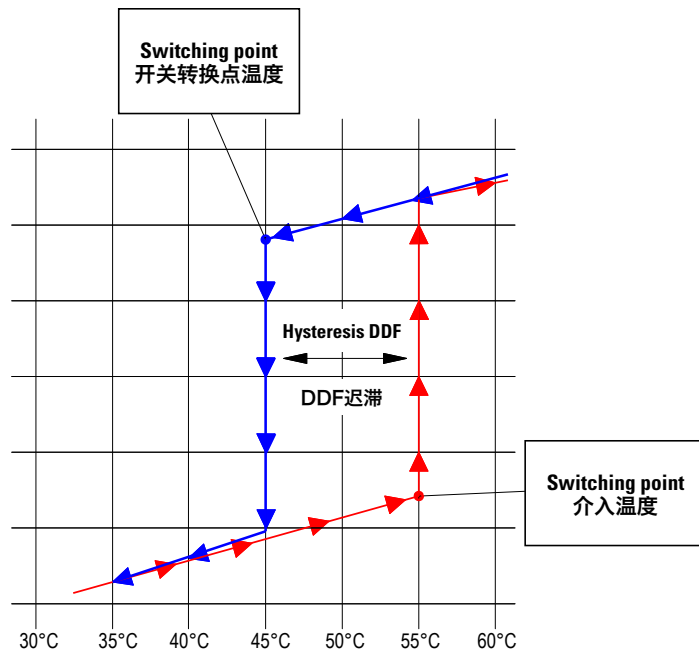
The Declarations of Conformity prescribed by the above Directives are available at our premises.

CE标志

我们的产品根据适用的欧盟规定和条例设计，并基于以下分类贴有不同的CE标志：

- A) 交流50-1000V和直流75-1500V的电源电压下所用电气设备和仪器。
它们符合以下规定：
- 2014/35/UE LVD (DBT-低电压规定)、EN 60730-1及相关附件二；
 - 2014/30/UE (EMC) (EMC-电磁兼容性规定)、EN 60730-1标准及相关附件二；
- B) 交流50V和直流75V下所用电气设备和仪器。
它们符合以下规定：
- 2014/30/UE (EMC) (EMC-电磁兼容性规定)、EN 60730-1标准及相关附件二；
- 在我们工厂可以看到上述条令规定的符合性声明。

EXAMPLE OPERATION OF BIMETALLIC THERMOSTAT T=55° WITH 10K HYSTERS 双金属温控器 T=55° 带10K迟滞运行示例



Conversion table for temperature units / 温度单位换算表

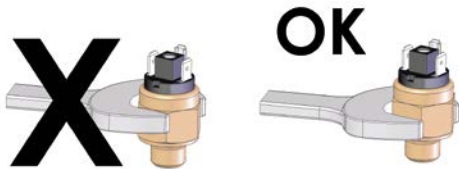
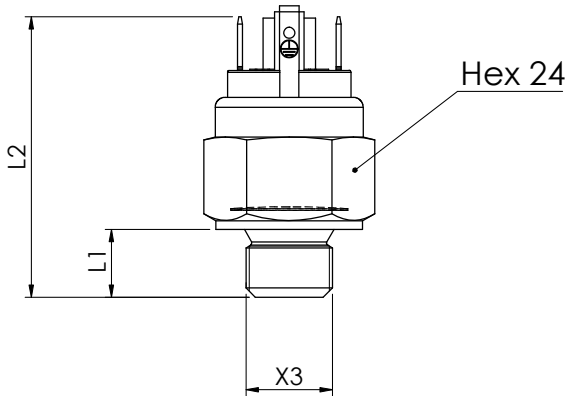
	K	°C	F
K	1	K-273.15	9/5 K-459.67
°C	°C + 273.15	1	9/5 °C + 32
F	5/9 (F + 459.67)	5/9 (F-32)	1

THERMOSTAT HEX 24

温控器 HEX 24

506

 Version ATEX available on request
根据要求, 可以提供ATEX认证版本



PART NUMBER - 编码

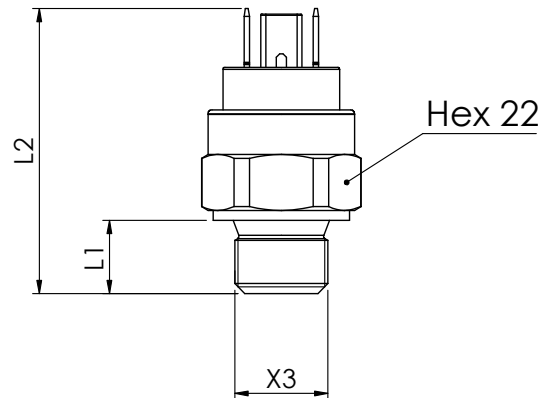
Electric contact 电触点	
norm. open 常开	norm. closed 常闭
506 16 ● ■	506 26 ● ■

● Threads (X3)	螺纹 (X3)	L1	L2 (mm)	■ Temperature	温度	
01	1/4" G	01	1/4" G	9,7	44,7	from 25° to 110°C with intervals of 5°C 从 25°C 到 120°C 间隔 5°C
02	3/8" G	02	3/8" G	11	46	
05	M14x1,5	05	M14x1,5	11	46	
16	M16x1,5	16	M16x1,5	11	46	
07	M22x1,5	07	M22x1,5	11	46	
08	1/2" G	08	1/2" G	11	46	

Case	Brass (stainless steel on request)
Electrical condition	N.O. (grey) or N.C. (black)
Differential	7 / 13 K
Intervention tolerance	+/- 5K
Electrical characteristics	10 (4) A / 12Vac 10 (3) A / 24Vac 12 (2) A / 125Vac 10 (1) A / 250Vac 2 A / 12Vdc
Max ambient temperature	+120°C
Number of cycles	100.000
Number of cycles/minute	max 5
Snap action contact	
Temp. change rate	1÷2 K/min
Tightening torque max	40 Nm
Connection	faston male 6,3 x 0,8 and grounding
Protection degree	IP00 with cap. 3015001: IP54 (see p. 11) with cap. 3900001: IP65 (see p. 11) with cap. 3900200: IP65 (see p. 11) with cable sealed by resin: IP67 (see p. 11)
Max Pressure	80 bar (other value on request)
Weight	~ 50gr

套管	黄铜 (根据要求, 不锈钢)
电气情况	常开 (灰色) 或常闭 (黑色)
误差	7 / 13 K
介入公差	+/- 5K
电气特性	10 (4) A / 12Vac 10 (3) A / 24Vac 12 (2) A / 125Vac 10 (1) A / 250Vac 2 A / 12Vdc
最高环境温度	+120°C
周期次数	100.000
每分钟周期次数	最多5次
突动触点	
温度变化率	1÷2 K/分钟
最大拧紧扭矩	40 Nm
连接	Faston公端 6,3 x 0,8和接地
防护等级	IP00 带防护盖 3015001: IP54 (见11页) 带防护盖 3900001: IP65 (见11页) 带防护盖3900200: IP65 (见11页) 带树脂密封电缆: IP67 (见11页)
最大压力	80 bar (可根据要求订制)
重量	~ 50gr

For a correct use please refer to page 6 - 8 in the "Temperature sensors" Euroswitch catalogue, edition 2018.
请参阅2018年版Euroswitch的《温度传感器》第6 - 8页, 以了解正确的使用方法。



PART NUMBER - 编码

Electric contact 电触点	
norm. open 常开	norm. closed 常闭
525 16 ● ■	525 26 ● ■

● Threads (X3)	螺纹 (X3)	L1	L2 (mm)	■ Temperature	温度
01	1/4" G	9,7	41,3	from 25° to 110°C	从 25°C 到 120°C
02	3/8" G	11	43	with intervals of 5°C	间隔 5°C
05	M14x1,5	11	43		

Case	Brass (stainless steel on request)
Electrical condition	N.O. (grey) or N.C. (black)
Differential	7 / 13K
Intervention tolerance	+/- 5K
Electrical characteristics	10 (4) A / 12Vac 10 (3) A / 24Vac 6 (1) A / 12Vdc
Max ambient temperature	+120°C
Number of cycles	100.000
Number of cycles/minute	max 5
Snap action contact	
Temp. change rate	1÷2 K/min
Tightening torque max	25 Nm
Connection	faston male 6,3 x 0,8
Protection degree	IP00 with cap. 3015200: IP54 (see p. 11)
Max Pressure	80 bar (other value on request)
Weight	~ 40gr

套管	黄铜（根据要求，不锈钢）
电气情况	常开（灰色）或常闭（黑色）
误差	7 / 13K
介入公差	+/- 5K
电气特性	10 (4) A / 12Vac 10 (3) A / 24Vac 6 (1) A / 12Vdc
最高环境温度	+120°C
周期次数	100.000
每分钟周期次数	最多5次
突动触点	
温度变化率	1÷2 K/分钟
最大拧紧扭矩	25 Nm
连接	Faston公端 6,3 x 0,8
防护等级	IP00 带防护盖 3015200: IP54（见11页）
最大压力	80 bar（可根据要求订制）
重量	~ 40gr

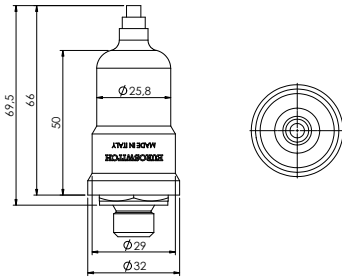
For a correct use please refer to page 6 - 8 in the "Temperature sensors" Euroswitch catalogue, edition 2018.
请参阅2018年版Euroswitch的《温度传感器》第6 - 8页，以了解正确的使用方法。

Protection cap and connectors - 保护盖和安全连接器

Rubber protective cap
橡胶保护盖

IP54

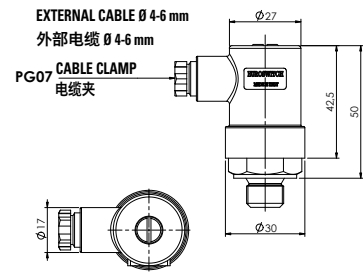
cod. 3015200 for type mod. 525 Hex 22
cod. 3015001 for type mod. 506 Hex 24



Plastic protection cap
塑料保护盖

IP65

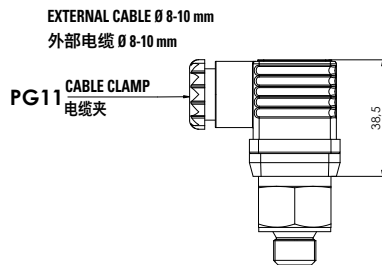
cod. 3900001
for type mod. 506



Protective connector
安全连接器

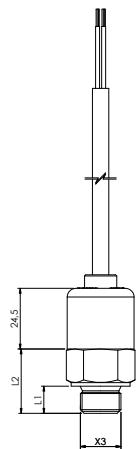
IP65

cod. 3900200
for type mod. 506



Wired version on request 保护盖和安全连接器

IP67

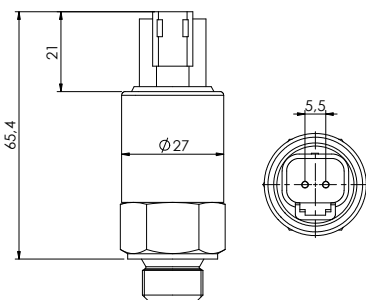


Max environment temperature 100 ° C
最高环境温度 100 ° C

Integrated connectors - 集成连接器

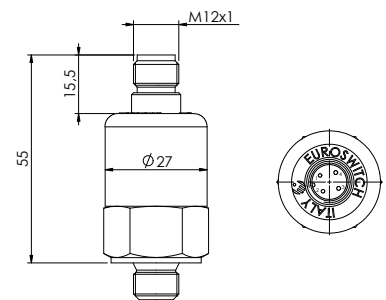
Connector Deutsch DT 04-2P
Deutsch DT 04-2P 连接器

IP67



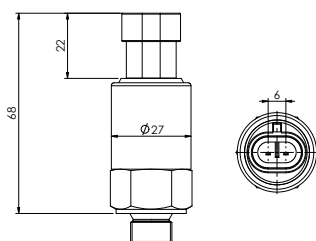
Connector M12x1
M12x1 连接器

IP67



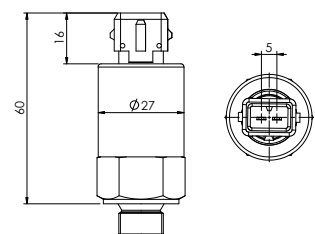
Connector type AMP Superseal 1.5 2 way
AMP类型Superseal 1.5 2路连接器

IP67



Connector Type AMP Junior Power Timer
AMP类型Junior Power Timer (电源定时器) 连接器

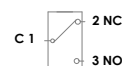
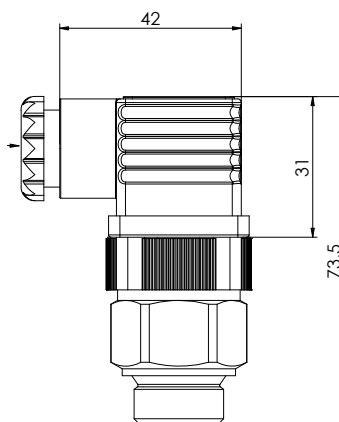
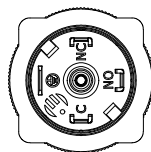
IP67





EXTERNAL CABLE Ø 6-8 / 8-10 mm
外部电缆 Ø 6-8 / 8-10 mm

PG11 CABLE CLAMP
电缆夹



SPDT contact
切换模式

PART NUMBER - 编码

507 21 ● ■

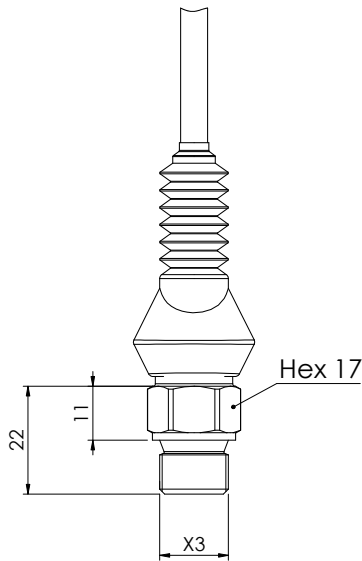
● Threads (X3)	螺纹 (X3)	■ Temperature	温度
02 3/8" G	02 3/8" G	from 35° to 85°C	从 35°C 到 85°C
05 M14x1,5	05 M14x1,5	with intervals of 5°C	间隔 5°C
07 M22x1,5	07 M22x1,5		
08 1/2" G	08 1/2" G		

Case	Brass (stainless steel on request)
Electrical condition	SPDT (exchange contact)
Differential	15 / 20K
Intervention tolerance	+/- 5K
Electrical characteristics	5(4) A / 14Vdc 4(3) A / 30Vdc 5 (3) A / 125Vac 3 (2) A / 250Vac
Max ambient temperature	+85°C
Number of cycles	100.000
Number of cycles/min	max 5
Snap action contact	
Temp. change rate	1±2 K/min
Tightening torque max	40 Nm
Connection	faston male 6,3 x 0,8 and grounding
Protection degree	IP65
with connector according to	UNI EN 175301-803 (DIN43650)
Max pressure	80 bar (other value on request)
Weight	~ 100gr

套管	黄铜 (根据要求, 不锈钢)
电气情况	SPDT (转换触点)
误差	15 / 20K
介入公差	+/- 5K
电气特性	5(4) A / 14Vdc 4(3) A / 30Vdc 5 (3) A / 125Vac 3 (2) A / 250Vac
最高环境温度	+85°C
周期次数	100.000
每分钟周期次数	最多5次
突动触点	
温度变化率	1±2 K/分钟
最大拧紧扭矩	40 Nm
连接	Faston公端 6,3 x 0,8和接地
防护等级	IP65
符合UNI EN 175301-803 (DIN43650)标准的电触点	
最大压力	80 bar (可根据要求订制)
重量	~ 100gr

For a correct use please refer to page 6 - 8 in the "Temperature sensors" Euroswitch catalogue, edition 2018.
 请参阅2018年版Euroswitch的《温度传感器》第6 - 8页, 以了解正确的使用方法。

The Company reserves the right to modify the technical features of the products or halt production at any time without notice. 公司保留无需事先通知, 对产品做出技术修改或停止生产的权利。



PART NUMBER - 编码

Electric contact 电触点	
norm. open 常开	norm. closed 常闭
520 71 ● ■	520 72 ● ■

● Threads (X3) 螺纹 (X3)	■ Temperature 温度
01 1/4" G	from 40 to 100°C 从 40°C 到 100°C
04 M12x1,5	with intervals of 10°C 间隔 10°C
05 M14x1,5	

Electrical condition	N.O. or N.C.
Electrical connection	PVC HT 105 cable (others on request)
Temperatures intervention	on request
Differential	5/10K
Intervention tolerance	+/- 5K
Electrical characteristics	12Vcc / 6 A
Max ambient temperature	+105°C for standard cable
Number of cycles	100.000
Number of cycles/minute	max 5
Snap action contact	
Temp. change rate	1÷2 K/min
Thread (X3)	M14x1,5 (others on request)
Tightening torque max	25 Nm
Protection degree	IP67

电气情况	常开 或常闭
电气连接	HT 105 PVC电缆 (可根据要求订制)
介入温度	可要求其他
误差	5/10K
介入公差	+/- 5K
电气特性	12Vcc / 6 A
最高环境温度	标准电缆+105°C
周期次数	100.000
每分钟周期次数	最多5次
突动触点	
温度变化率	1÷2 K/分钟
螺纹(X3)	M14x1,5 (可根据要求订制)
最大拧紧扭矩	25 Nm
防护等级	IP67

For a correct use please refer to page 6 - 8 in the "Temperature sensors" Euroswitch catalogue, edition 2018.
请参阅2018年版Euroswitch的《温度传感器》第6 - 8页, 以了解正确的使用方法。

The Company reserves the right to modify the technical features of the products or halt production at any time without notice. 公司保留无需事先通知, 对产品做出技术修改或停止生产的权利。

Thermal contacts / 热接触

Thermocontacts

Euroswitch offers single-pole thermocontacts with bimetal disc and quick opening contact, available in various configurations.

The cut-in temperature and differential may vary, depending on the specific application.

Cut-in temperatures are controlled with the minimum electric load in the contact circuit.

Main applications: temperature control in hydraulic systems, radiators, heat exchangers, lubrication system, etc.

Operating conditions

Compatibility of the sensor for the intended use must be verified with the specific fluid and under correct operating conditions.

Electrical load

Grounding must fasten by assembling system.

Power must be mended thanks to a SELV system.

CE Marking

Our products have been designed in compliance with the applicable EC

Directives and Regulations and bear the CE mark based on the following classification:

a) Electrical devices and apparatus used at a mains voltage of 50-1000V AC and 75-1500V DC.

They comply with the following directives:

- 2014/35/VE (DBT - Low-Voltage Directive) and EN 60730-1 and relevant parts II;
- 2014/30/VE (EMC-Electro-Magnetic Compatibility Directive) and EN 60730-1 standards and relevant parts II;

b) Electrical devices and apparatus used at 50V AC and 75V DC.

They comply with the following directives:

- 2014/30/VE (EMC - Electro-Magnetic Compatibility Directive) and EN 60730-1 standards and relevant parts II.

The Declarations of Conformity prescribed by the above Directives are available at our premises.

热接触

Euroswitch提供单极双金属片和快速断路触点热接触，拥有各种不同配置。

介入的温度可根据不同的用途而改变。

介入的温度用接口电路的最低电负荷控制。

主要用途：液压系统、散热器、换热器、润滑系统、汽车等领域的温度控制。

应用

传感器应根据具体的液体和环境情况使用。

电负荷

安装系统应当保障接地。

应当通过一个SELV类型的系统保障供电。

CE标志

我们的产品根据适用的欧盟规定和条例设计，并基于以下分类贴有不同的CE标志：

A) 交流50-1000V和直流75-1500V的电源电压下所用电气设备和仪器。

它们符合以下规定：

- 2014/35/UE (DBT-低电压规定)、EN 60730-1及相关附件二；

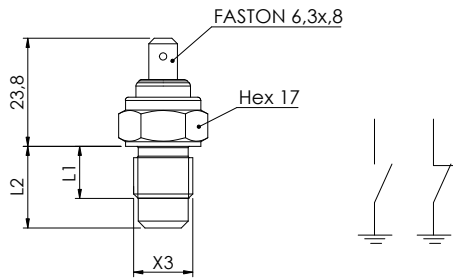
- 2014/30/UE CEE (EMC-电磁兼容性规定)、EN 60730-1标准及相关附件二；

B) 交流50V和直流75V下所用电气设备和仪器。

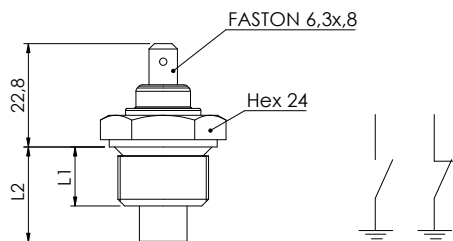
它们符合以下规定：

- 2014/30/UE (EMC-电磁兼容性规定)、EN 60730-1标准及相关附件二；

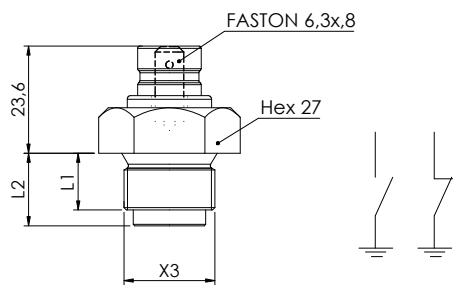
在我们工厂可以看到上述条令规定的符合性声明。



510



514



519



Case	Brass body
Support material	PA 6.6
Contact	N.O. (on request N.C.)
Temp. intervention	30 ÷ 130°C
Intervention tolerance	+/- 5 K
Differential	10 ÷ 20K
Working voltage	6 ÷ 24 Vdc
Max resistive current	300 mA
Tightning torque	510 - ch. 17 12Nm 514 - ch. 24 519 - ch. 27 30 Nm
Electrical connection	male faston 6,3x0,8
Temperature changerate	1 ÷ 2 K/min
Threads (X3) and L1 - L2	(on request)
Protection degree	IP 00 cap (see p. 8)
Pollution situation	normal
Action type	1B

套管	黄铜套管
材质	PA 6.6
触点	常开 (可要求常闭)
介入温度	30 ÷ 130°C
介入公差	+/- 5 K
误差	10 ÷ 20K
工作电压	6 ÷ 24 Vdc
最大电流	300 mA
拧紧扭矩	510 - ch. 17 12 Nm 514 - ch. 24 519 - ch. 27 30 Nm
电气连接	快速端子 6,3x0,8
温度变化率	1÷2 K/分钟
螺纹(X3)和L-L1值	根据要求
防护等级	IP00保护盖 (请见第8页)
污染情况	正常
驱动类型	1B

For a correct use please refer to page 6 - 8 in the "Temperature sensors" Euroswitch catalogue, edition 2018.
请参阅2018年版Euroswitch的《温度传感器》第6 - 8页, 以了解正确的使用方法。

The Company reserves the right to modify the technical features of the products or halt production at any time without notice. 公司保留无需事先通知, 对产品做出技术修改或停止生产的权利。

Temperature sensors / 温度传感器

NTC-PTC-PT100-PT1000 sensors

Euroswitch offers a vast range of probes and sensors that can be customised on request to meet all requirements in the control or regulation of temperature in the following fields: refrigeration, heating, coffee machines, automatic beverage dispensers, household appliances, automotive, instruments, etc.

Operating conditions

Compatibility of the sensor for the intended use must be verified with the specific fluid and under correct operating conditions.

CE Marking

Our products have been designed in compliance with the applicable EC Directives and Regulations and bear the CE mark based on the following classification:

- a) Electrical devices and apparatus used at a mains voltage of 50-1000V AC and 75-1500V DC.
They comply with the following directives:
 - EC 2006/95 (DBT - Low-Voltage Directive) and EN 60730-1 and relevant parts II;
 - EC 2004/108 (EMC-Electro-Magnetic Compatibility Directive) and EN 60730-1 standards and relevant parts II;
- b) Electrical devices and apparatus used at 50V AC and 75V DC.
They comply with the following directives:
 - EC 2004/108 (EMC – Electro-Magnetic Compatibility Directive) and EN 60730-1 standards and relevant parts II.

The Declarations of Conformity prescribed by the above Directives are available at our premises.

NTC-PTC-PT100-PT1000传感器

EUROSWITCH提供一系列探头和传感器，包括定制产品，以满足各行业的温度控制或调节需求，涉及领域包括：制冷、制热、咖啡机、自动饮料贩卖机、家电、汽车、仪表等。

应用条件

传感器应根据具体的液体和环境情况使用。

CE标志

我们的产品根据适用的欧盟规定和条例设计，并基于以下分类贴有不同的CE标志：

A) 交流50-1000V和直流75-1500V的电源电压下所用电气设备和仪器。

它们符合以下规定：

- EC 2006/95 (DBT-低电压规定)、EN 60730-1及相关附件二；

- EC 2004/108 (EMC-电磁兼容性规定)、EN 60730-1标准及相关附件二；

B) 交流50V和直流75V下所用电气设备和仪器。

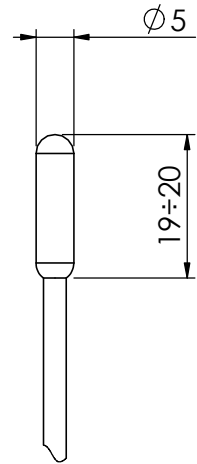
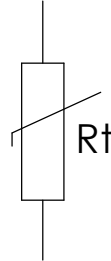
它们符合以下规定：

- EC 2004/108 (EMC-电磁兼容性规定)、EN 60730-1标准及相关附件二；

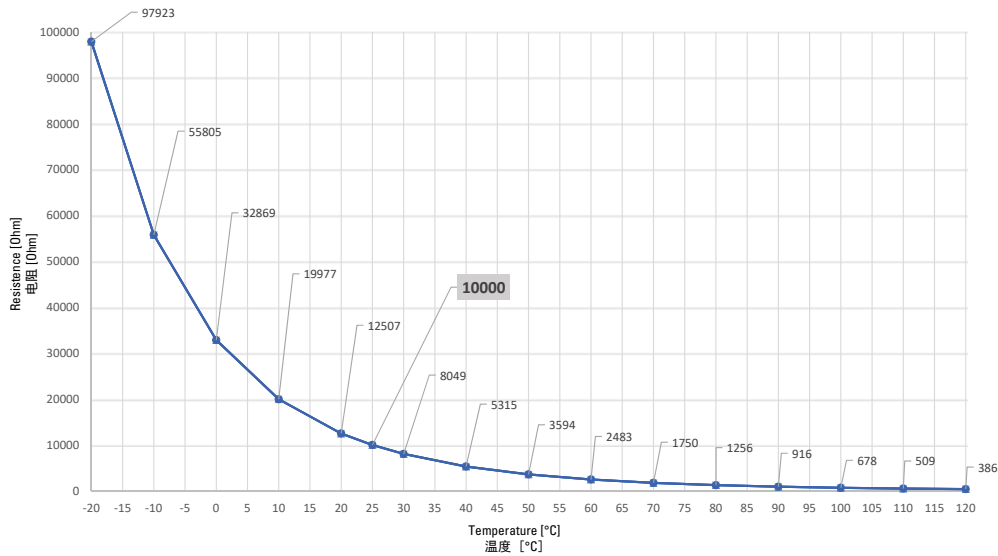
在我们工厂可以看到上述条令规定的符合性声明。



Temperature sensors
温度传感器



Example of curve 10Kohm B25/85= 3977K
NTC曲线示例 10Kohm B25/85= 3977K



Thermistor	NTC - PTC - PT 100 - PT 1000
Electrical connection	PVC cable (others on request)
Coat	moulded resin
Working temperature	-20 / +120 ° C (others on request)
Protection degree	IP65 - IP67

热敏电阻	NTC - PTC - PT 100 - PT 1000
电气连接	PVC电线（可根据要求订制）
保护罩	树脂模塑
工作温度	-20 / +120°C（可要求其他）
防护等级	IP65 - IP67

For a correct use please refer to page 6 - 8 in the "Temperature sensors" Euroswitch catalogue, edition 2018.
请参阅2018年版Euroswitch的《温度传感器》第6 - 8页，以了解正确的使用方法。

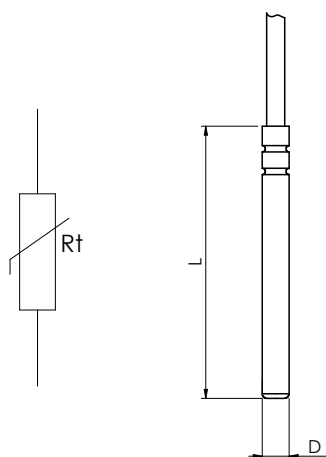
The Company reserves the right to modify the technical features of the products or halt production at any time without notice. 公司保留无需事先通知，对产品做出技术修改或停止生产的权利。

TEMPERATURE SENSORS WITH METALLIC INCAPSULATION

带金属套管温度传感器

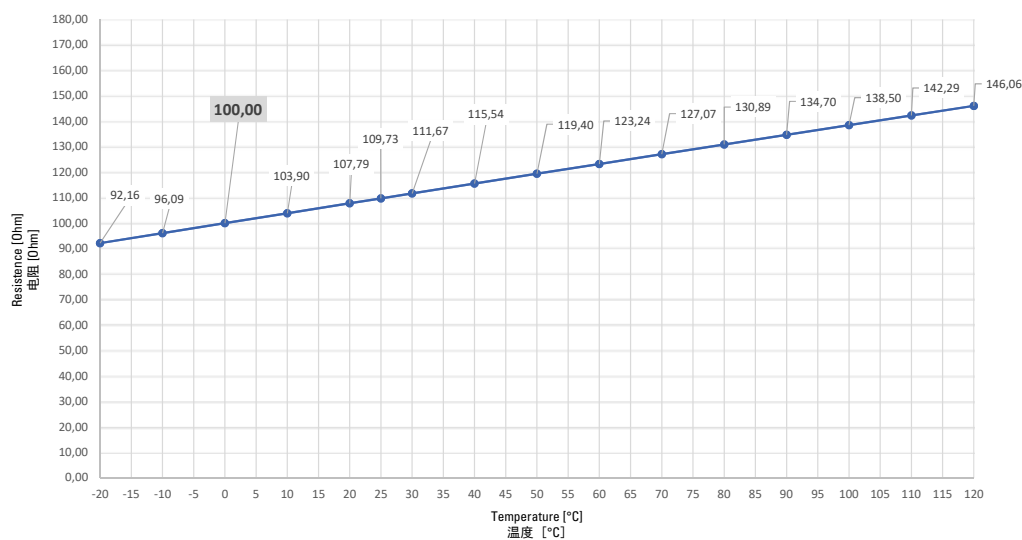
572

HT High Temperature version available on request
可要求高温版本



Example of available solutions
可用解决方案示例

Example of curve PT100 - IEC 751
PT100 - IEC 751 曲线示例



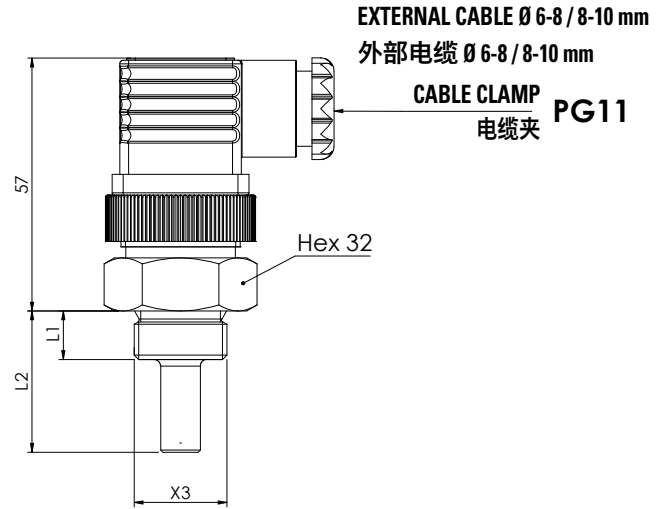
D (mm)	L (mm)
4	40
4	100
5,9	32
5,9	39
5,9	50
5,9	60

Thermistor	NTC - PTC - PT 100 - PT 1000
Electrical connection	on request
Case	brass - stainless steel - bronze
Working temperature	-20 / +120 ° C (others on request)
Protection degree	IP65 - IP67

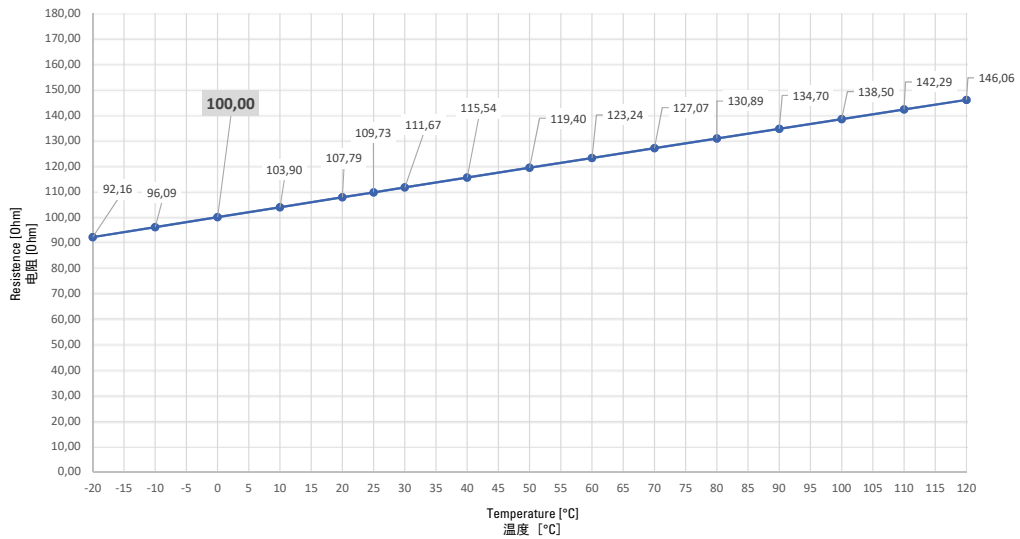
热敏电阻	NTC - PTC - PT 100 - PT 1000
电气连接	可要求其他
套管	黄铜-不锈钢-青铜
工作温度	-20 / +120 ° C (可根据要求订制)
防护等级	IP65 - IP67

For a correct use please refer to page 6 - 8 in the "Temperature sensors" Euroswitch catalogue, edition 2018.
请参阅2018年版Euroswitch的《温度传感器》第6 - 8页，以了解正确的使用方法。

The Company reserves the right to modify the technical features of the products or halt production at any time without notice. 公司保留无需事先通知，对产品做出技术修改或停止生产的权利。



Example of curve PT100 - IEC 751
PT100 - IEC 751 曲线示例



Thermistor	NTC - PTC - PT 100 - PT 1000
Thermistor Coat	resin
Case	brass (on request stainless steel)
Threads (X3) and L1 - L2	(on request)
Working temperature	-20 +120°C
Connector	IP65 according to UNI EN 175301-803 (DIN43650)

热敏电阻	NTC - PTC - PT 100 - PT 1000
热敏电阻罩	树脂
套管	黄铜 (可要求不锈钢)
螺纹(X3)和L1-L2值	(根据要求)
工作温度	-20 +120°C
连接器	IP65 符合 UNI EN 175301-803 (DIN43650)

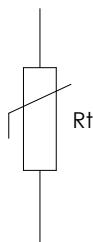
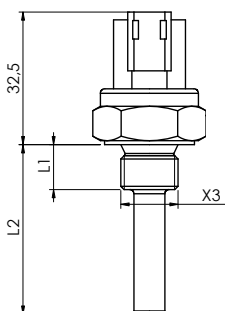
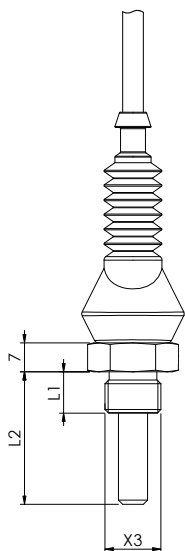
For a correct use please refer to page 6 - 8 in the "Temperature sensors" Euroswitch catalogue, edition 2018.
请参阅2018年版Euroswitch的《温度传感器》第6 - 8页，以了解正确的使用方法。

The Company reserves the right to modify the technical features of the products or halt production at any time without notice. 公司保留无需事先通知，对产品做出技术修改或停止生产的权利。

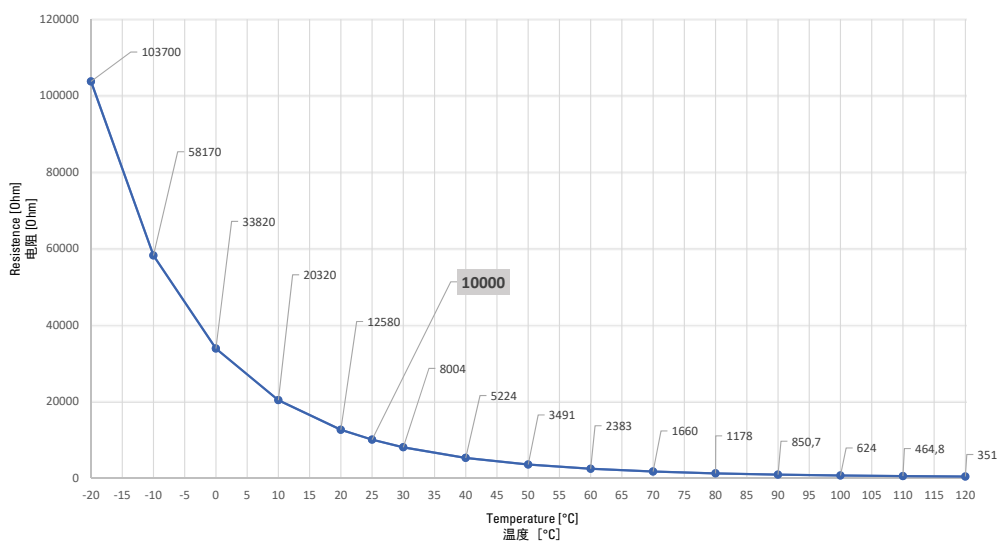
TEMPERATURE SENSORS WITH CABLE AND CONNECTOR 带电缆和连接器温度传感器

580

HT High Temperature version available on request
可要求高温版本



Example of curve NTC 10Kohm $B_{25/85}=4100K$
NTC 10Kohm $B_{25/85}=4100K$ 曲线示例



Thermistor	NTC - PTC - PT 100 - PT 1000
Electrical connection	on request
Thermistor Coat	resin
Case	brass (on request stainless steel)
Threads (X3) and L1 - L2	(on request)
Working temperature	-20 / +120°C (others on request)
Protection degree	IP65/67

热敏电阻	NTC - PTC - PT 100 - PT 1000
电气连接	根据要求
热敏电阻罩	树脂
套管	黄铜 (可要求不锈钢)
螺纹(X3)和L1-L2值	(根据要求)
工作温度	-20 / +120°C (可根据要求订制)
防护等级	IP65/67

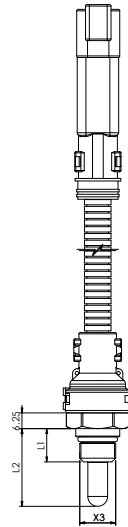
For a correct use please refer to page 6 - 8 in the "Temperature sensors" Euroswitch catalogue, edition 2018.
请参阅2018年版Euroswitch的《温度传感器》第6 - 8页, 以了解正确的使用方法。

The Company reserves the right to modify the technical features of the products or halt production at any time without notice. 公司保留无需事先通知, 对产品做出技术修改或停止生产的权利。

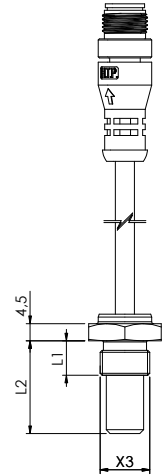
Model 580 - Ready wired connections examples

580型号 - 电缆连接示例

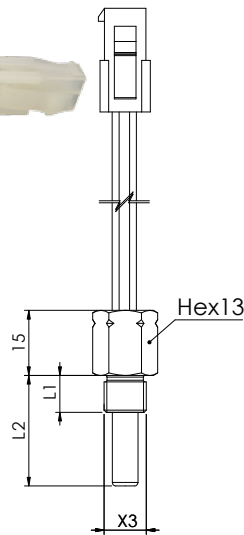
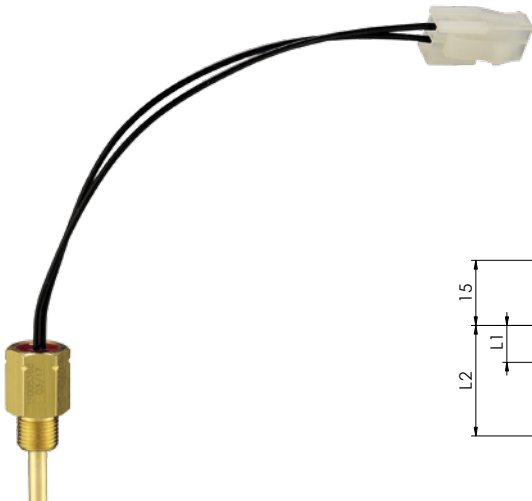
Cable with Connector Deutsch DT 04-2P
Deutsch DT 04-2P 连接器的电缆



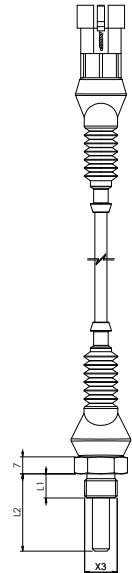
Cable with Connector type M12x1
M12x1连接器的电缆



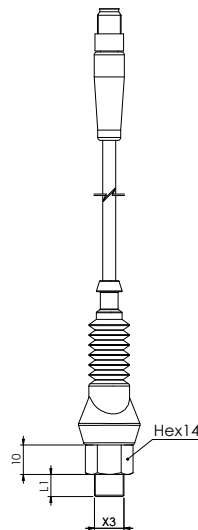
Cable with Mini-fit Jr Connector
Mini-fit Jr 连接器的电缆



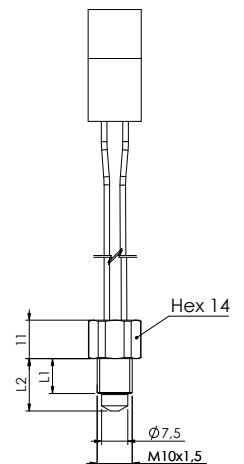
Cable with Connector type AMP SS 1,5
AMP类型SS 1,5连接器的电缆



Cable with Connector type M8
M8连接器的电缆



Cable with Faston 6,3 F Connector
快速端子 6,3 连接器的电缆

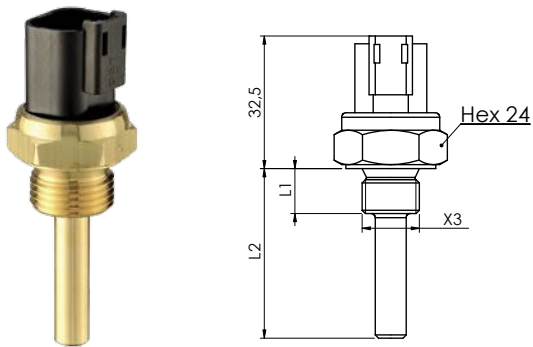


Type of wiring, length and connection on request - 电缆的类型、长度和连接根据客户要求定制。

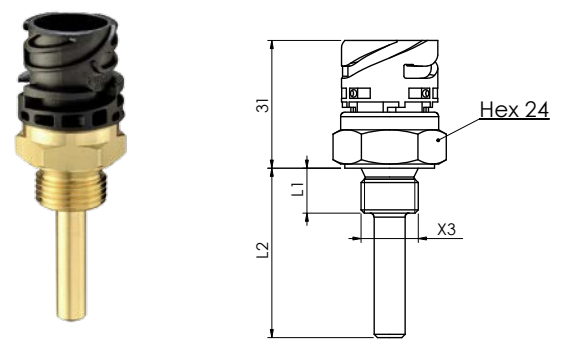
Integrated connectors examples mod. 580

580型号的集成连接器示例

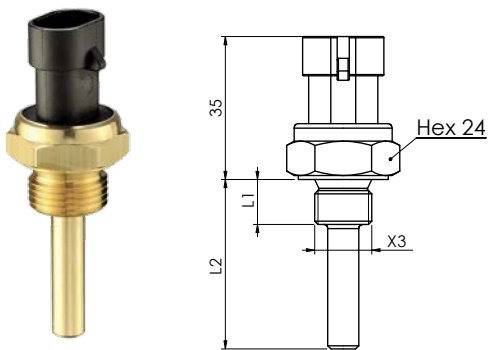
Connector Deutsch DT 04-2P
Deutsch DT 04-2P连接器



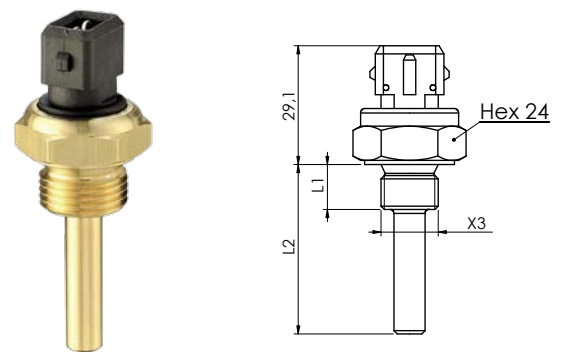
Bajonet connector DIN72585
DIN72585卡口



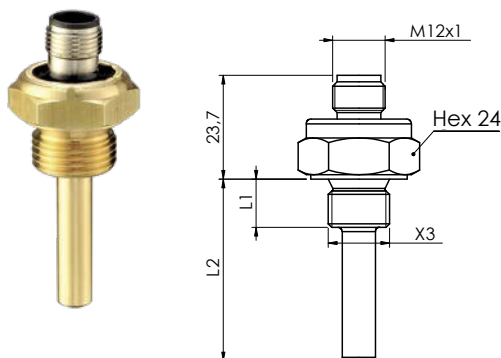
Connector type AMP Superseal 1.5 2 way
AMP类型 Superseal 1.5 2路连接器



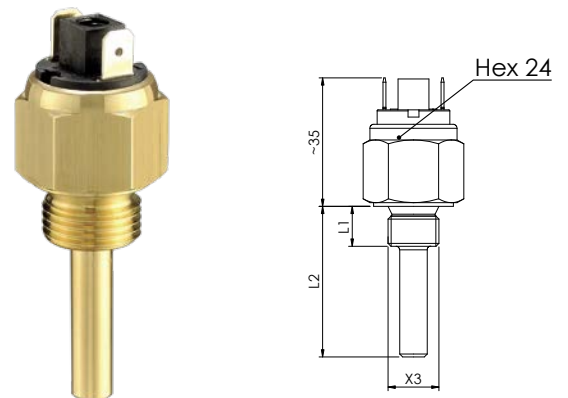
Connector Type AMP Junior Power Timer
AMP类型 Junior Power Timer (电源定时器) 连接器

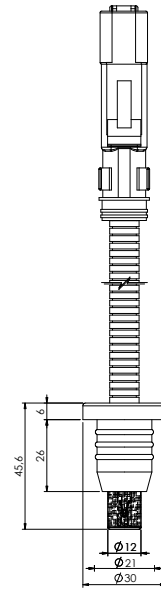


Connector type M12x1
M12x1类型连接器

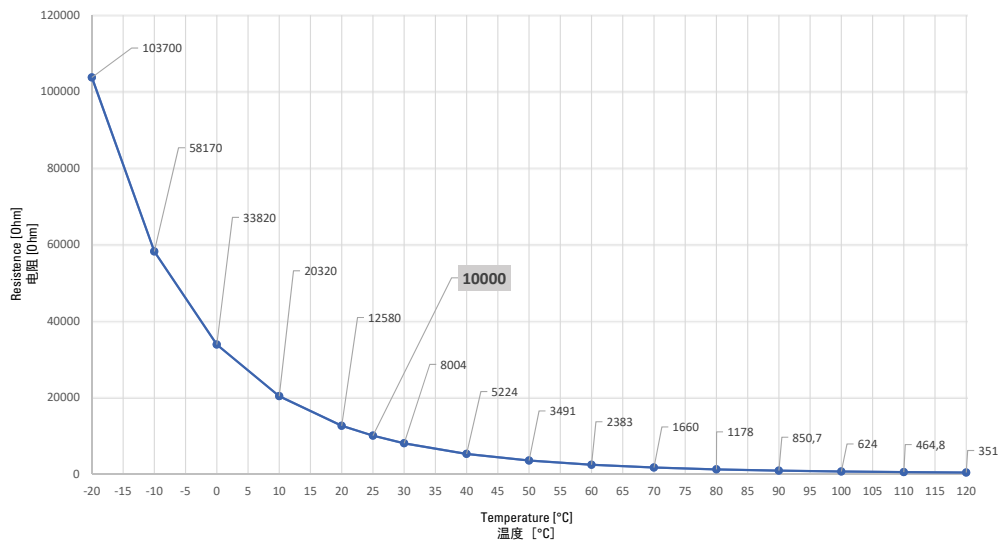


Faston 6,3 Connection
带Faston 6,3连接器





Example of curve NTC 10Kohm $B_{25/85}=4100K$
NTC 10Kohm $B_{25/85}=4100K$ 曲线示例

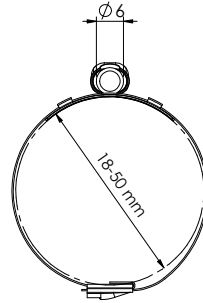
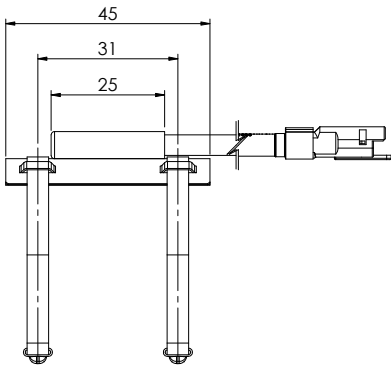


Thermistor	NTC - PTC - PT 100 - PT 1000
Electrical connection	PVC cable (others on request)
Thermistor Coat	wire mesh
Case	brass (on request stainless steel)
Fixing	cap in NBR Ø 21 mm
Working temperature	-20 / +120°C (others on request)
Protection degree	IP67

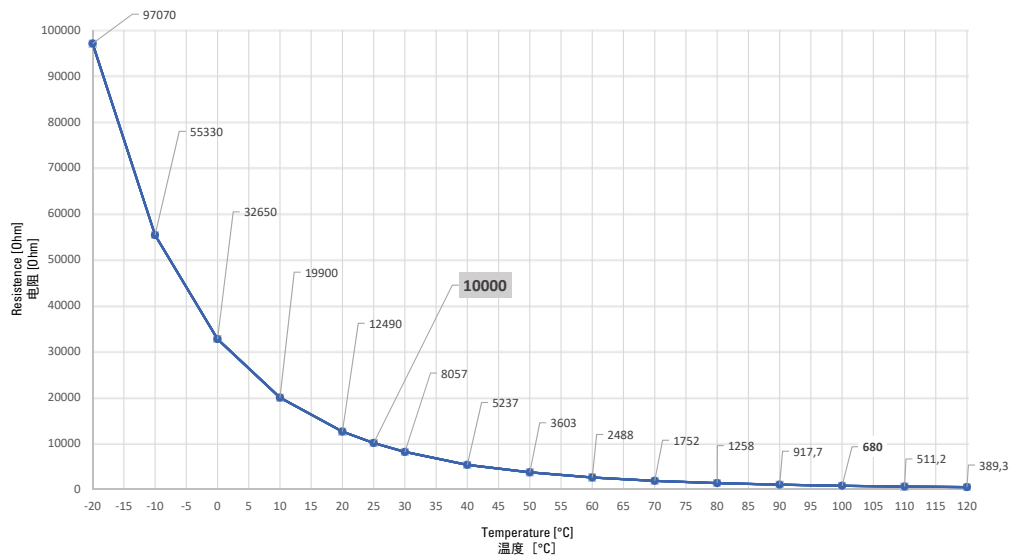
热敏电阻	NTC - PTC - PT 100 - PT 1000
电气连接	PVC电线 (可根据要求订制)
热敏电阻罩	铁丝网
套管	黄铜 (可要求不锈钢)
固定	NBR盖Ø21 mm
工作温度	-20 / +120°C (可根据要求订制)
防护等级	IP67

For a correct use please refer to page 6 - 8 in the "Temperature sensors" Euroswitch catalogue, edition 2018.
请参阅2018年版Euroswitch的《温度传感器》第6 - 8页, 以了解正确的使用方法。

The Company reserves the right to modify the technical features of the products or halt production at any time without notice. 公司保留无需事先通知, 对产品做出技术修改或停止生产的权利。



Example of curve NTC 10Kohm $B_{25/100}=3988K$
NTC 10Kohm $B_{25/100}=3988K$ 曲线示例

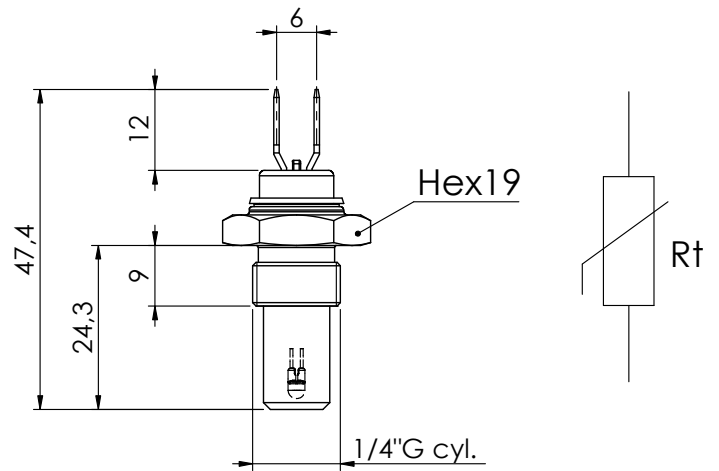


Thermistor	NTC - PTC - PT 100 - PT 1000
Electrical connection	PVC cable (others on request)
Thermistor Coat	copper
Case	copper
Working temperature	-20 / +120°C (others on request)
Protection degree	IP65
Fixing	Self-locking stainless ties

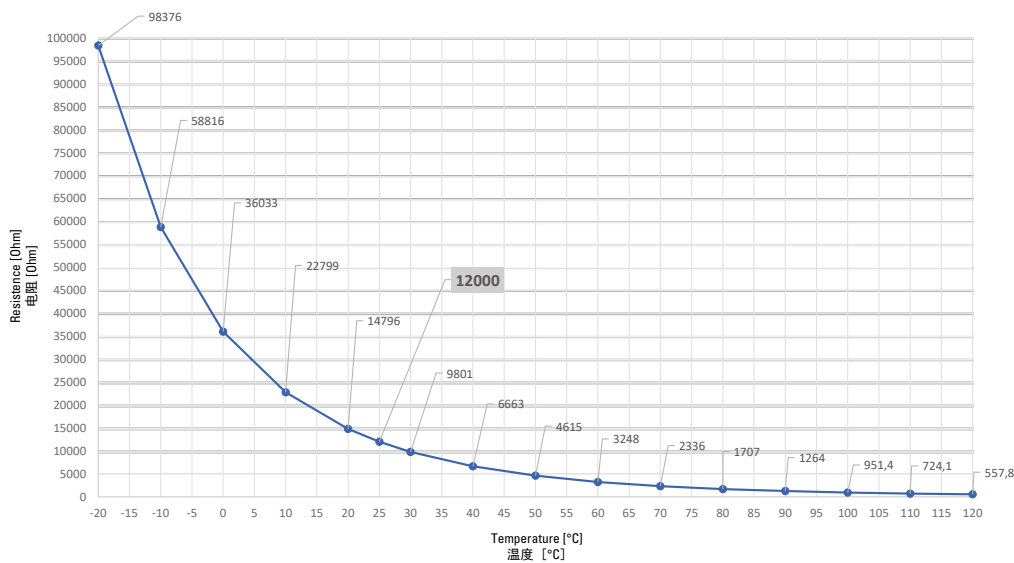
热敏电阻	NTC - PTC - PT 100 - PT 1000
电气连接	PVC电线 (可要求其他)
热敏电阻罩	铜
套管	铜
工作温度	-20 / +120°C (可根据要求订制)
防护等级	IP65
固定	自锁式不锈钢扎带

For a correct use please refer to page 6 - 8 in the "Temperature sensors" Euroswitch catalogue, edition 2018.
请参阅2018年版Euroswitch的《温度传感器》第6 - 8页, 以了解正确的使用方法。

The Company reserves the right to modify the technical features of the products or halt production at any time without notice. 公司保留无需事先通知, 对产品做出技术修改或停止生产的权利。



Example of curve NTC 10Kohm $B_{25/100}=3760K$
NTC 10Kohm $B_{25/100}=3760K$ 曲线示例

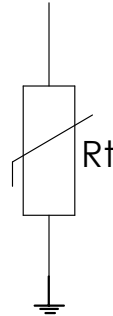
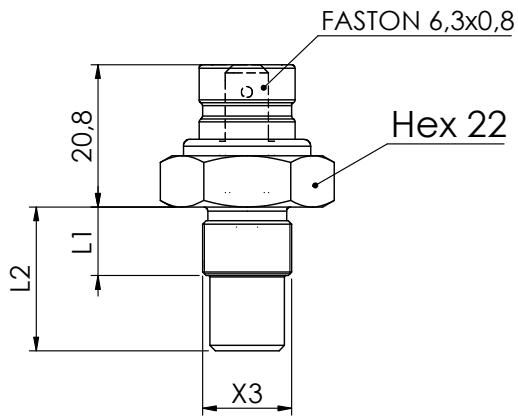


Thermistor	NTC 12K at 25 ° C (others on request)
β constant	(25 - 85°C) 3760 ± 1%
Electrical Connection	faston 6,3x0,8
Case	AISI 316L
Working temperature	-55 +150°C
Protection degree	IP65

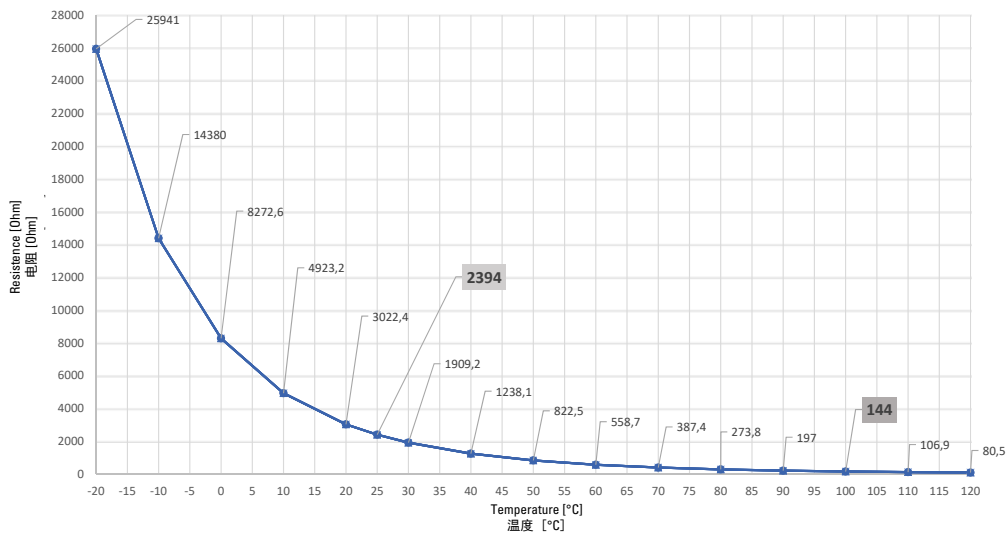
热敏电阻	NTC 12K a 25°C (可根据要求订制)
恒量 β	(25 - 85°C) 3760 ± 1%
电气连接	faston 6,3x0,8
套管	AISI 316L
工作温度	-55 +150°C
防护等级	IP65

For a correct use please refer to page 6 - 8 in the "Temperature sensors" Euroswitch catalogue, edition 2018.
请参阅2018年版Euroswitch的《温度传感器》第6 - 8页，以了解正确的使用方法。

The Company reserves the right to modify the technical features of the products or halt production at any time without notice. 公司保留无需事先通知，对产品做出技术修改或停止生产的权利。



Example of curve NTC2394ohm 25°C and 144ohm 100°C B_{25/100}=4170K
NTC2394ohm 25°C e 144ohm 100°C B_{25/100}=4170K 曲线示例



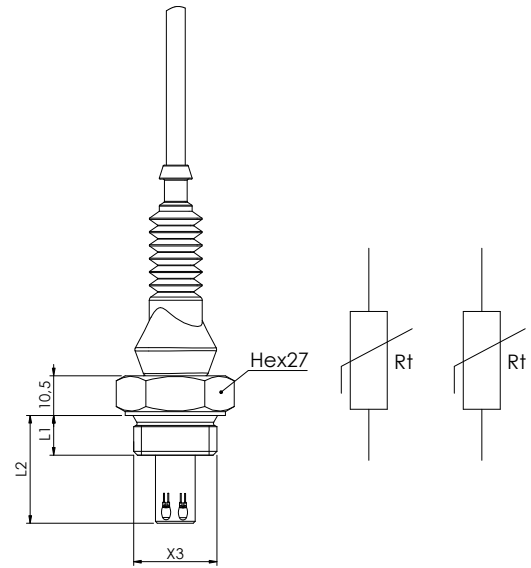
Thermistor	NTC - 560Ω - 750Ω - 2K - 2.394K - 10K (others on request)
Electrical Connection	Faston 6,3
Body	brass
Thread (X) and L	G 3/8" - M14X1,5 - M16X1,5 (others on request)
Working temperature	-40 +130°C
Protection degree	IP65
Working Voltage	12V

热敏电阻	NTC - 560Ω - 750Ω - 2K - 2.394K - 10K (可根据要求订制)
电气连接	Faston 6,3
套管	黄铜
螺纹 (X) 和L值	G 3/8" - M14X1,5 - M16X1,5 (可要求其他)
工作温度	-40 +130°C
防护等级	IP65
工作电压	12V

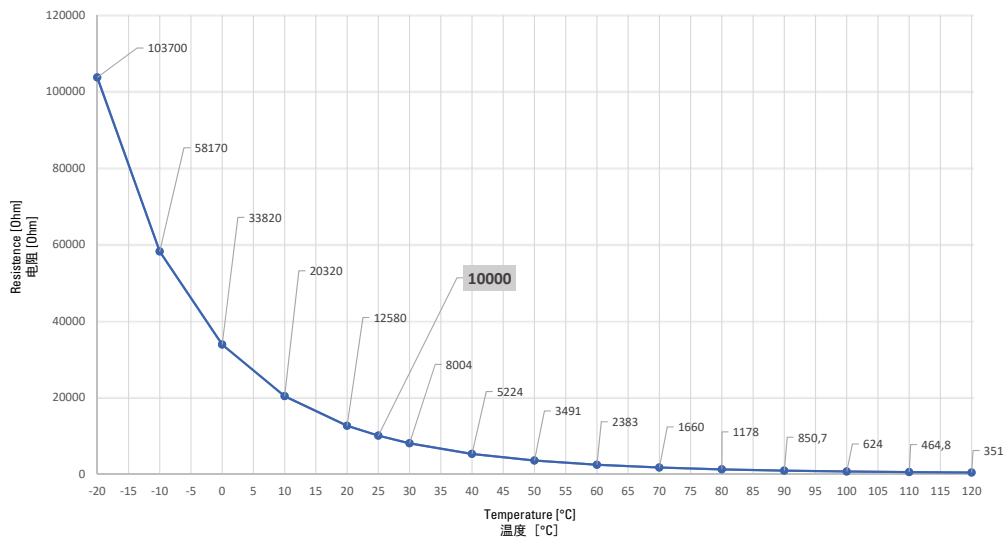
For a correct use please refer to page 6 - 8 in the "Temperature sensors" Euroswitch catalogue, edition 2018.
请参阅2018年版Euroswitch的《温度传感器》第6 - 8页，以了解正确的使用方法。

The Company reserves the right to modify the technical features of the products or halt production at any time without notice. 公司保留无需事先通知，对产品做出技术修改或停止生产的权利。

HT High Temperature version available on request
可要求高温版本



Example of curve NTC 10Kohm $B_{25/85}=4100K$
NTC 10Kohm $B_{25/85}=4100K$ 曲线示例

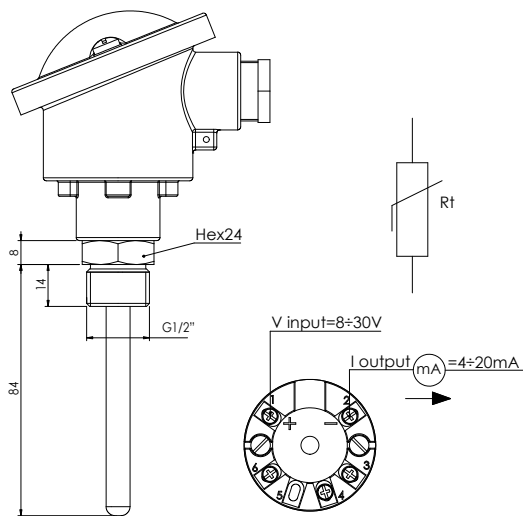


Thermistor	NTC - PTC - PT 100 - PT 1000
Electrical connection	others on request
Thermistor Coat	resin
Case	brass (on request stainless steel)
Threads (X3) and L1 - L2	(on request)
Protection degree	IP67

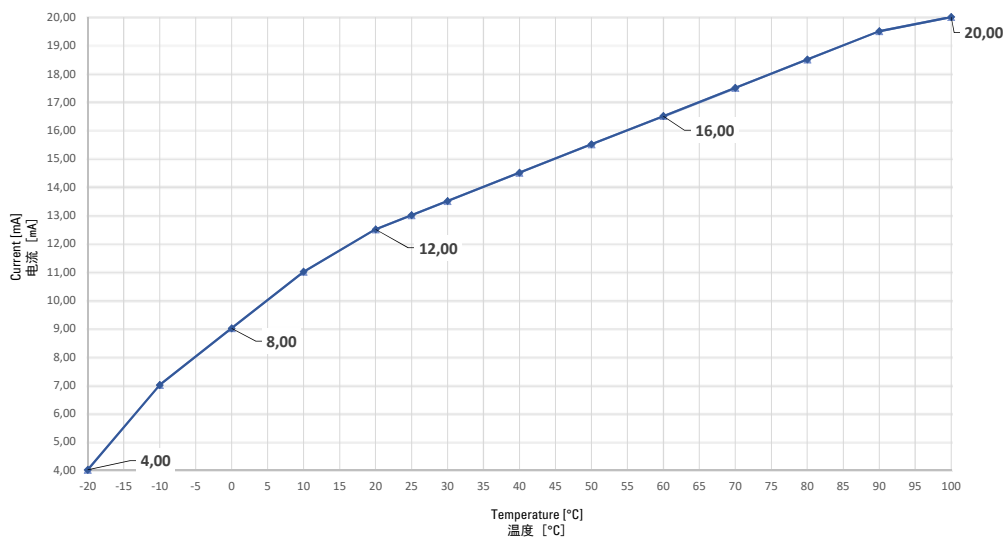
热敏电阻	NTC - PTC - PT 100 - PT 1000
电气连接	可要求其他
热敏电阻罩	树脂
套管	黄铜 (可要求不锈钢)
螺纹(X3)和L1-L2值	(可要求其他)
防护等级	IP67

For a correct use please refer to page 6 - 8 in the "Temperature sensors" Euroswitch catalogue, edition 2018.
请参阅2018年版Euroswitch的《温度传感器》第6 - 8页，以了解正确的使用方法。

The Company reserves the right to modify the technical features of the products or halt production at any time without notice. 公司保留无需事先通知，对产品做出技术修改或停止生产的权利。



Example of curve PT100 - IEC 751 with 4÷20mA output
带有4÷20mA输出的PT100 - IEC 751曲线示例

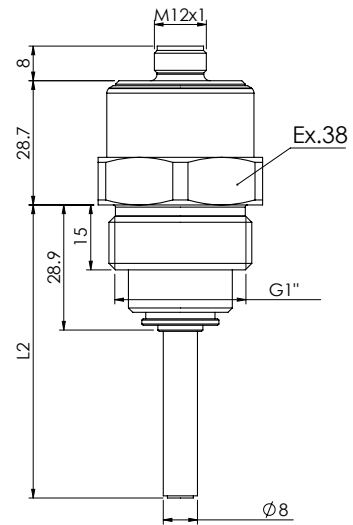


Output signal	analogic 4-20mA
Supply voltage	8-30V
Case material	AISI 316
Working temperature	-20 / +100° C
Protection degree	IP65
Electrical connection	DIN B in aluminum

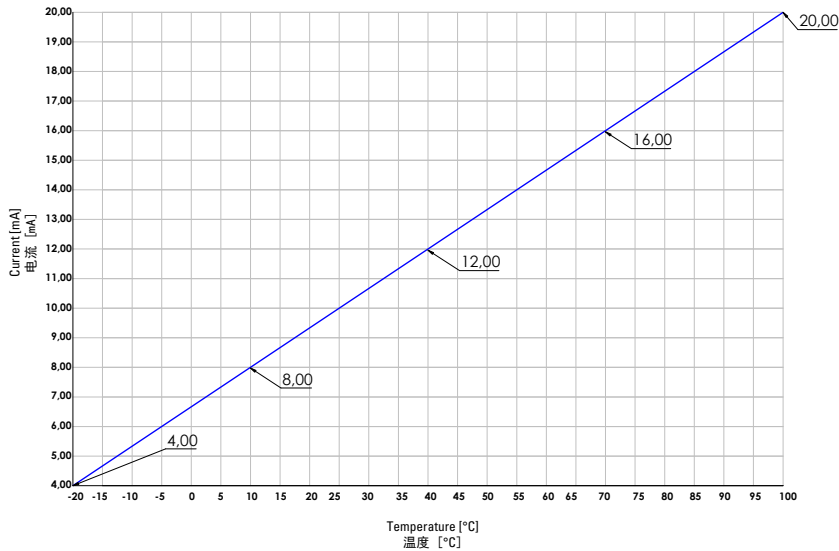
输出信号	4-20 mA模拟
电源电压	8-30V
套管材料	AISI 316
工作温度	-20 / + 100° C
防护等级	IP65
电气连接	铝制DIN B

For a correct use please refer to page 6 - 8 in the "Temperature sensors" Euroswitch catalogue, edition 2018.
请参阅2018年版Euroswitch的《温度传感器》第6 - 8页，以了解正确的使用方法。

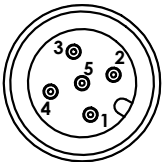
The Company reserves the right to modify the technical features of the products or halt production at any time without notice. 公司保留无需事先通知，对产品做出技术修改或停止生产的权利。



Example of curve PT100 - IEC 751 with 4÷20mA output
带有4÷20mA输出的PT100 - IEC 751曲线示例



PIN-OUT



	ELECTRICAL SPECIFICATIONS	电气规格
PIN1	24V±10%	24V±10%
PIN2	Analogue Output 4÷20mA	4÷20mA 模拟输出
PIN3	Digital Output 1 : PNP programmable NO/NC Max Load 0.2 A	数字输出 1: PNP 可编程 NA/NC 最高负荷 0.2 A
PIN4	Digital Output 2 : PNP programmable NO/NC Max Load 0.2 A	数字输出 2: PNP 可编程 NA/NC 最高负荷 0.2 A
PIN5	0V - GND	0V - GND

PIN3 and PIN4 outputs, with the associated hysteresis values, are programmable at factory.
PIN3 和 PIN4 的输出值以及相关的迟滞值, 是在EUROSWITCH内部编程的。

Output signal	analogic 4-20mA
Supply voltage	8-30V
Case	AISI 316
Working temperature	-20 / +100° C
Protection degree	IP65 / IP67
Electrical connection	M12
Max Torque	50 Nm
Lenghts L2 mm:	85 - 100 - 150 - 200 - 250 - 300 - 350

输出信号	4-20 mA模拟
电源电压	8-30V
套管	AISI 316
工作温度	-20 /+ 100° C
防护等级	IP65 / IP67
电气连接	M12
最大拧紧扭矩	50 Nm
长度 L2 mm:	85 - 100 - 150 - 200 - 250 - 300 - 350

For a correct use please refer to page 6 - 8 in the "Temperature sensors" Euroswitch catalogue, edition 2018.
请参阅2018年版Euroswitch的《温度传感器》第6 - 8页, 以了解正确的使用方法。

The Company reserves the right to modify the technical features of the products or halt production at any time without notice. 公司保留无需事先通知, 对产品做出技术修改或停止生产的权利。

The MONT.EL Group specialises in the design and manufacture of wiring systems, and electric and electronic equipment and sensors. It is a fully integrated network of companies dealing with advanced outsourcing that can offer a complete product, which is co-engineered or made to customer drawing, and features superior quality, efficiency, accuracy and maximum reliability.

The MONT.EL Group relies on the professional skill, know-how and expertise of the six member companies. Four are based in Italy - MONT.EL (wiring systems), INTEA (design and development of electronic drive and control equipment), EUROSITCH (level, pressure, temperature and rotation sensors), and AME (electrical equipment) and two in Romania - SIRE (wiring systems and electro-mechanical assemblies) and TECHTRON (electronic equipment).



MONT.EL 集团专业从事布线系统、电子设备和传感器的设计和制造。这是一个整合外部资源的公司网络，能够提供联合工程设计或根据客户所提供图纸设计的完整产品。我们致力于实现高品质、高效率、精准度和可靠性的原则。

MONT.EL 集团的网络系统依托于六家公司的职业精神、多年经验和专业能力！其中有四家公司位于意大利境内：分别是MONT.EL（布线系统），INTEA（电子传动与控制设备的设计和制造），EUROSITCH（液位传感器、压力传感器、温度传感器和旋转传感器），AME（电气设备）；两家位于罗马尼亚境内：SIRE（布线系统、机电组件的生产装配）和TECHTRON（电子设备）。



MONT.EL

wirings,
electric and electronic equipment

布线系统
电子设备



EUROSITCH

level, pressure,
temperature sensors

液位、压力、温度
传感器



**INTEA
ENGINEERING**

applied electronic technologies
应用电子技术



AME

electrical equipment
电气设备



SIRE

wirings, assembly
布线及装配



TECHTRON

electronic equipments
电子设备



EUROSWITCH

Via Provinciale, 15
25057 Sale Marasino (BS) Italy
Tel. +39 030 986549 - Fax +39 030 9824202
e-mail: info@euroswitch.it
www.euroswitch.it

